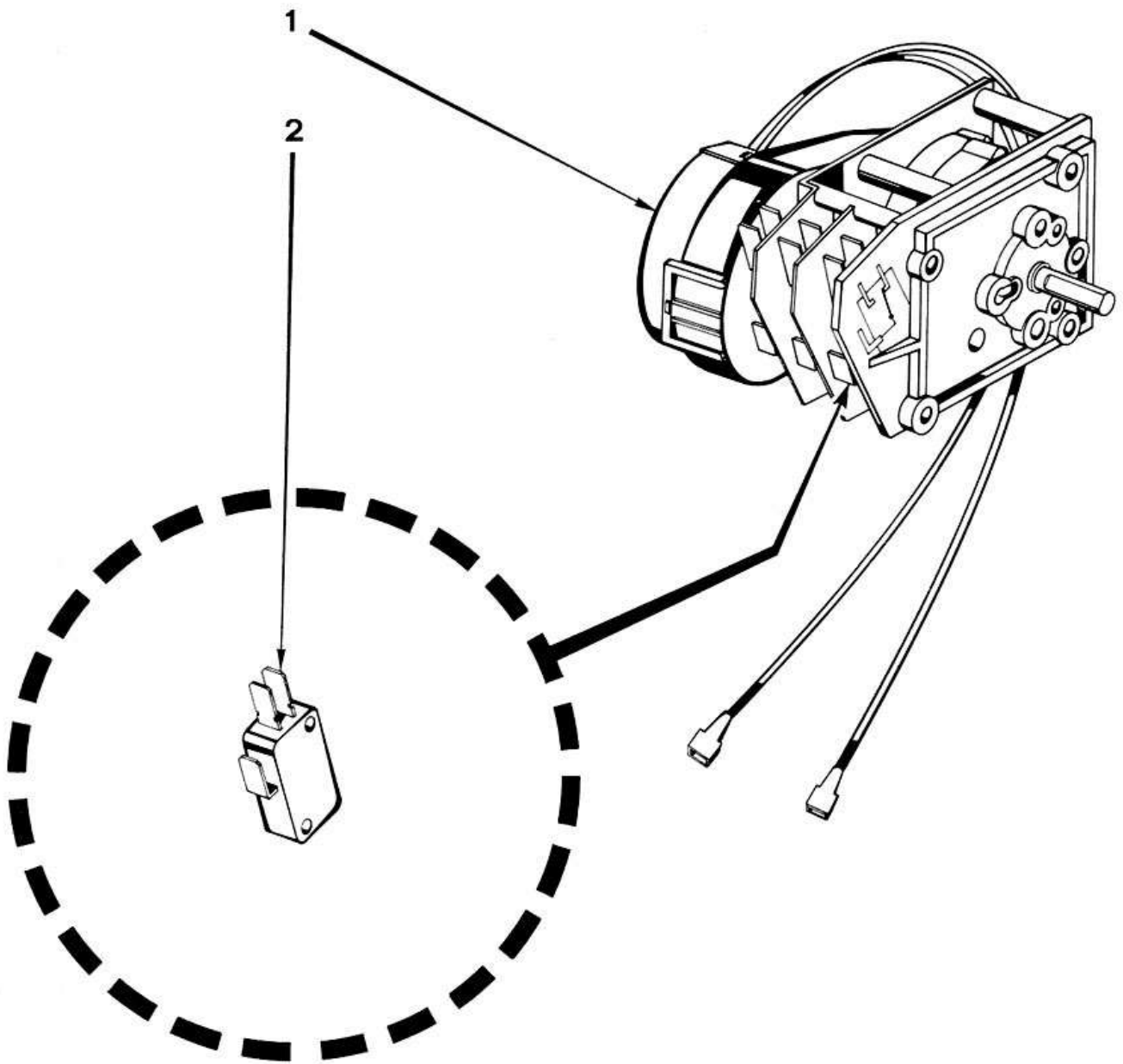
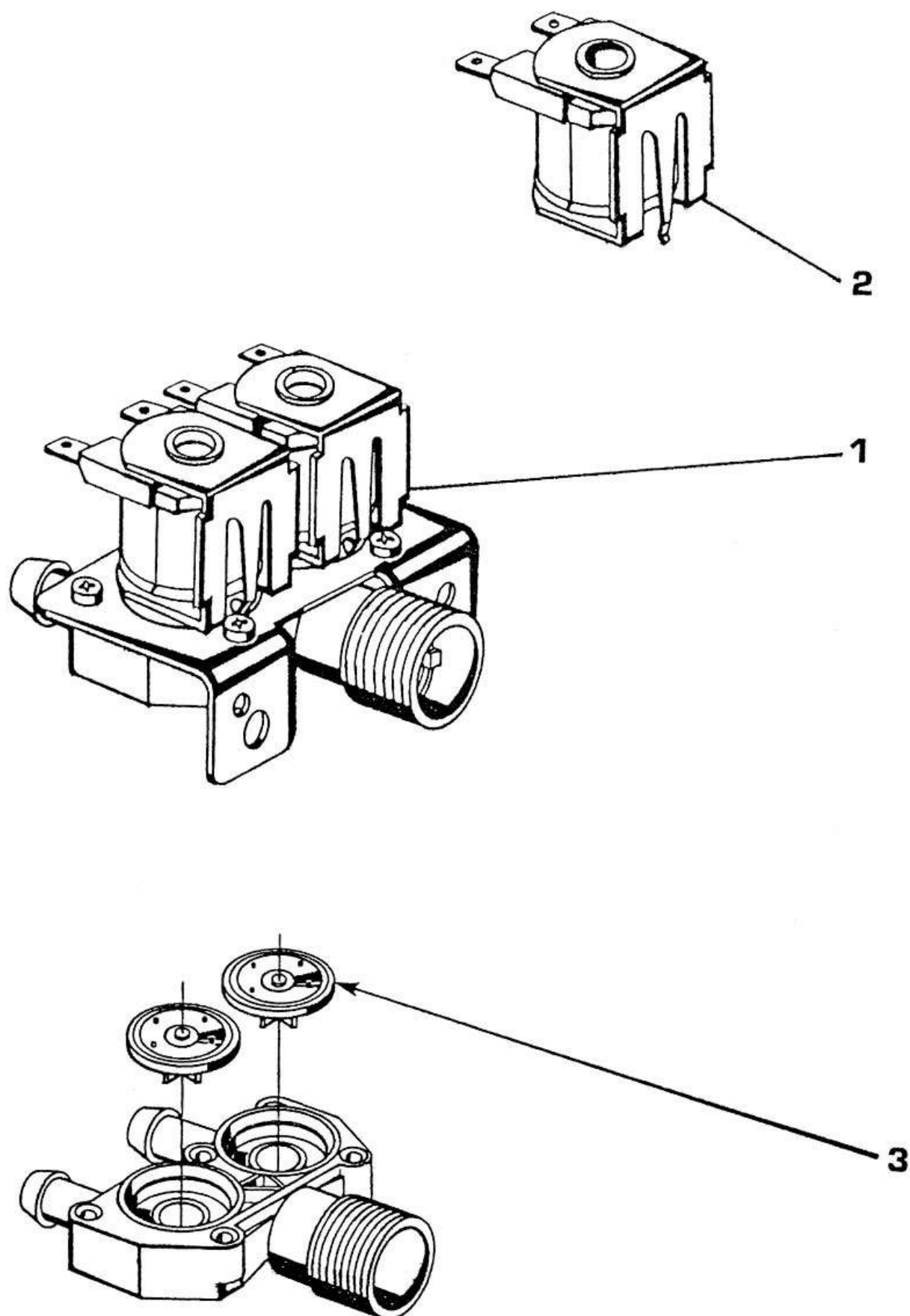


| POS. | CODICE CODE KODE | POS. | CODICE CODE KODE | POS. | CODICE CODE KODE | POS. | CODICE CODE KODE |
|-------|------------------------|------|------------------------|------|------------------------|------|------------------------|
| 1 | 02 50 01 | 32 | 11 90 02 | 62 | 43 50 01 | | |
| 2 | { 21 60 02 | 33 | 99 30 24 | 63 | 43 70 31 | | |
| | { 21 60 03 | 34 | 11 00 02 | 64 | 46 80 21 | | |
| | { 21 60 05 | 35 | 14 00 06 | 65 | pag. 93 | | |
| 3 | 44 70 07 | 36 | 13 80 01 | 66 | 22 90 08 | | |
| 4/5 | 44 70 08 | 37 | 98 40 02 | 67 | 99 90 34 | | |
| 6 | 21 30 03 | 38 | 46 80 29 | 68 | 14 20 10 | | |
| 7 | 21 20 01 | 39 | { 45 60 20 | 69 | 14 20 01 | | |
| 8 | { 23 60 07 | | { 43 70 19 | 70 | { 43 70 38 | | |
| | { 23 60 08 | 41 | 98 50 02 | | { 43 70 33 | | |
| 9 | pag. 90 | 42 | 12 70 11 | 71 | 99 90 43 | | |
| 10 | 22 40 02 | 43 | 98 50 01 | 72 | 41 50 01 | | |
| 11 | 99 90 36 | 44 | 43 70 27 | 73 | 20 30 27 | | |
| 12 | 99 40 06 | 45 | 02 20 19 | 74 | 20 40 13 | | |
| 13 | 99 40 05 | 46 | 02 20 18 | 75 | 42 50 01 | | |
| 14 | 99 90 37 | 47 | 99 90 08 | 76 | 44 70 04 | | |
| 15 | { 48 00 15 | 48 | 21 80 02 | 78 | 41 70 40 | | |
| | { 48 00 16 | 49 | 10 80 05 | | | | |
| 16 | 02 00 08 | 50 | pag. 104 | | | | |
| 17/18 | 02 10 06 | 51 | 12 70 06 | | | | |
| 19 | 32 20 03 | 52 | 12 70 07 | | | | |
| 20 | 99 90 38 | 53 | { 98 70 01 | | | | |
| 21 | 99 90 39 | | { 98 70 05 | | | | |
| 22 | 31 90 02 | 54 | { 20 10 02 | | | | |
| 23 | 12 10 12 | | { 20 10 11 | | | | |
| 24 | 99 00 34 | 55 | 14 30 13 | | | | |
| 25 | 99 00 33 | 56 | 12 10 17 | | | | |
| 26 | 99 00 35 | 57 | 14 30 05 | | | | |
| 27 | 99 90 30 | 58 | 46 10 06 | | | | |
| 28 | 14 00 02 | 59 | 98 20 04 | | | | |
| 29 | 11 90 01 | 60 | { 23 00 08 | | | | |
| 30 | 11 00 05 | | { 23 00 26 | | | | |
| 31 | 14 00 03 | 61 | 43 70 29 | | | | |



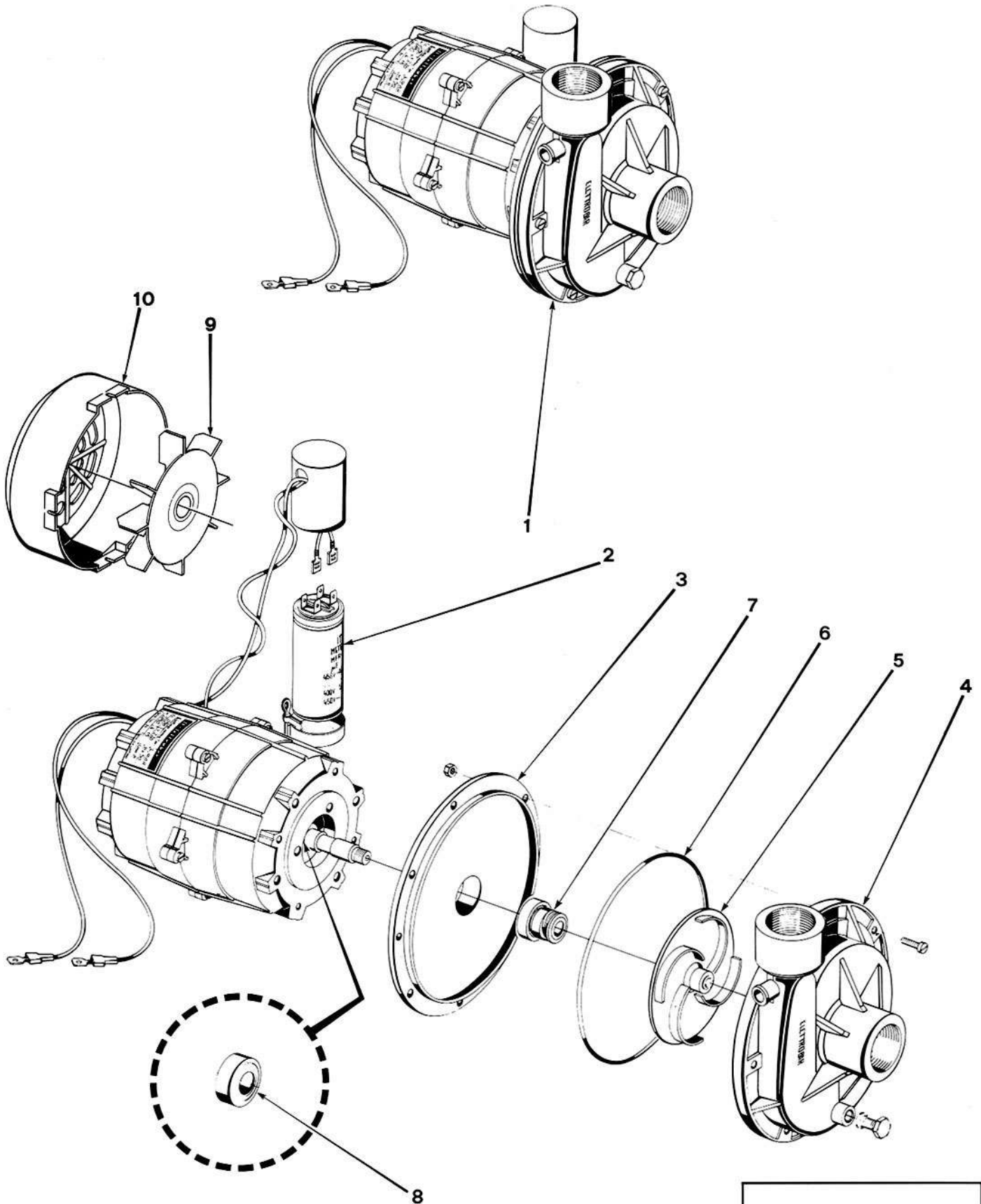
| POS. | CODICE CODE KODE | DESCRIZIONE - DESCRIPTION - BESCHREIBUNG | | |
|------|------------------------|---|--------------|---|
| 1 | 23 80 25 | Timer ciclo 180" - Cronel 2C Cycle timer 180" - Cronel 2C Programmateur cycle 180" - Cronel 2C Programmschalter 180" - Cronel 2C | 220/50/1 | Mod. R 495 - 497 |
| 1 | 23 80 01 | Timer ciclo 180" - Crouzet 3C Cycle timer 180" - Crouzet 3C Programmateur cycle 180" - Crouzet 3C Programmschalter 180" - Crouzet 3C | 220/50/1 | Mod. R 499 - 501 - 503 - 505 - 507 - 509 - 511 - 704 - 706 - 708 - S 641 - 643 Mod. S 870 fino matricola n° 64902 till serial no. 64902 au matricule n° 64902 bis Maschinen-Nr. 64902 |
| 1 | 23 80 24 | Timer ciclo 180" - Cronel 3C Cycle timer 180" - Cronel 3C Programmateur cycle 180" - Cronel 3C Programmschalter 180" - Cronel 3C | 220/50/1 | Mod. R 499 - 501 - 503 - 505 - 507 - 509 - 511 - 704 - 706 - 708 - S 641 - 643 Mod. S 870 fino matricola n° 64902 till serial no. 64902 au matricule n° 64902 bis Maschinen-Nr. 64902 |
| 1 | 23 80 05 | Timer ciclo 180" - Cronel 3C Cycle timer 180" - Cronel 3C Programmateur cycle 180" - Cronel 3C Programmschalter 180" - Cronel 3C | 220-240/50/1 | Mod. R 499 - 501 - 503 - 505 - 507 - 509 - 511 - 704 - 706 - 708 - S 641 - 643 Mod. S 870 fino matricola n° 64902 till serial no. 64902 au matricule n° 64902 bis Maschinen-Nr. 64902 |
| 1 | 23 80 16 | Timer ciclo 180" - Cronel 3C Cycle timer 180" - Cronel 3C Programmateur cycle 180" - Cronel 3C Programmschalter 180" - Cronel 3C | 220/60/1 | Mod. R 499 - 501 - 503 - 505 - 507 - 509 - 511 - 704 - 706 - 708 - S 641 - 643 Mod. S 870 fino matricola n° 64902 till serial no. 64902 au matricule n° 64902 bis Maschinen-Nr. 64902 |

| POS. | CODICE CODE KODE | DESCRIZIONE - DESCRIPTION - BESCHREIBUNG |
|------|------------------------|--|
| 1 | 23 80 09 | <p>Timer pompa scarico 180" - Cronel 4C Drain pump timer 180" - Cronel 4 Programmateur pompe vidange 180" - Cronel 4C Laugenpumpe-Programmschalter 180" - Cronel 4C</p> <p style="text-align: right;">220/50/1</p> <p>Mod. R 501 - 505 - 509 - 704 - 706 - 708 - S 641</p> <p>Mod. S 870 fino matricola n° 64902 till serial no. 64902 au matricule n° 64902 bis Maschinen-Nr. 64902</p> |
| 2 | 21 80 09 | <p>Micro timer Cronel Microtimer Cronel Minirupteur programmeur Cronel Mikroschalter Cronel</p> |



| POS. | CODICE CODE KODE | DESCRIZIONE - DESCRIPTION - BESCHREIBUNG |
|------|------------------------|---|
| 1 | 24 00 06 | Valvola - Elbi - 1 via 90° Solenoid valve - Elbi - 1 way 90° Vanne - Elbi - 1 bobine 90° Einweg - Einlassmagnetventil - Elbi - 90° 220-240/50-60/1 Mod. R 495 |
| 1 | 24 00 05 | Valvola - Elbi - 1 via 180° Solenoid valve - Elbi - 1 way 180° Vanne - Elbi - 1 bobine 180° Einweg - Einlassmagnetventil - Elbi - 180° 220-240/50-60/1 Mod. R 704 - 706 |
| 1 | 24 00 03 | Valvola - 2 vie 180° Solenoid valve - 2 ways 180° Vanne - 2 bobines 180° Zweiweg - Einlassmagnetventil - 180° 220-240/50-60/1 Mod. R 497 - 499 - 501 - 505 - 509 - S 641 |
| 1 | 24 00 02 | Valvola - 3 vie 180° Solenoid valve - 3 ways 180° Vanne - 3 bobines 180° Dreiweg - Einlassmagnetventil - 180° 220-240/50-60/1 Mod. R 503 - 507 - 511 - S 643 |
| 1 | 24 00 08 | Valvola ottone piccola portata Brass solenoid valve - small capacity Vanne laiton - petite Kleines Einlassmagnetventil aus Messing 220-240/50-60/1 Mod. R 708 |
| 1 | 24 00 07 | Valvola ottone grande portata Brass solenoid valve - big capacity Vanne laiton - grande Grosses Einlassmagnetventil aus Messing 220-240/50-60/1 Mod. S 870 fino matricola n° 64902 till serial no. 64902 au matricule n° 64902 bis Maschinen-Nr. 64902 |

| POS. | CODICE CODE KODE | DESCRIZIONE - DESCRIPTION - BESCHREIBUNG |
|------|------------------------|---|
| 2 | 20 10 06 | Bobina valvola Coil for solenoid valve Bobine pour vanne Spule für Einlassmagnetventil |
| 2 | 20 10 08 | Bobina valvola ottone piccola portata Coil for brass solenoid valve - small capacity Bobine vanne laiton petite Spule für kleines Einlassmagnetventil aus Messing |
| 2 | 20 10 07 | Bobina valvola ottone grande portata Coil for brass solenoid valve - big capacity Bobine vanne laiton grande Spule für grosses Einlassmagnetventil aus Messing |
| 3 | 29 90 22 | Membrana valvola ottone grande portata Membrane for brass solenoid valve - big capacity Membrane vanne laiton grande Membran für grosses Einlassmagnetventil aus Messing |



**POMPA
WASH PUMP
POMPE
ELEKTROPUMPE**

**mod. R:
706 - 708**

105

10/87

| POS. | CODICE CODE KODE | DESCRIZIONE - DESCRIPTION - BESCHREIBUNG |
|------|------------------------|--|
| 1 | 13 00 24 | Pompa 1295 FIR HP 1,2 Wash pump 1295 FIR HP 1,2 Pompe 1295 FIR HP 1,2 Elektropumpe 1295 FIR HP 1,2 220/60/1 220-380/50/3 Mod. R 706 - 708 |
| 1 | 13 00 29 | Pompa 1295 FIR HP 1,2 Wash pump 1295 FIR HP 1,2 Pompe 1295 FIR HP 1,2 Elektropumpe 1295 FIR HP 1,2 220/60/3 220-380/60/3 Mod. R 706 - 708 |
| 1 | 13 00 30 | Pompa 1295 FIR HP 1,2 Wash pump 1295 FIR HP 1,2 Pompe 1295 FIR HP 1,2 Elektropumpe 1295 FIR HP 1,2 220/60/1 220-380/60/1 Mod. R 706 - 708 |
| 1 | 13 00 09 | Pompa LC T 140 HP 1 Wash pump LC T 140 HP 1 Pompe LC T 140 HP 1 Elektropumpe LC T 140 HP 1 220/50/1 220/50/1 Mod. R 706 - 708 |
| 2 | 20 60 05 | Condensatore T 140, 1295 FIR Condenser T 140, 1295 FIR Condensateur T 140, 1295 FIR Kondensator T 140, 1295 FIR |
| 3 | 31 50 04 | Flangia + cappello 1295 FIR Flange int. 1295 FIR Flansque int. 1295 FIR Flansch 1295 FIR |
| 3 | 31 50 09 | Flangia + cappello T 140 Flange T 140 Flansque T 140 Flansch T 140 |
| 4 | 11 60 04 | Corpo pompa 1295 FIR Flange ext. 1295 FIR Flansque ext. 1295 FIR Pumpengehäuse 1295 FIR |
| 4 | 11 60 11 | Corpo pompa T 140 Flange ext. T 140 Flansque ext. T 140 Pumpengehäuse T 140 |
| 5 | 12 40 04 | Girante 1295 FIR 50 Hz. Impellor 1295 FIR 50 Hz. Turbine 1295 FIR 50 Hz. Pumpenflügel 1295 FIR 50 Hz. |

E3 wolk

**POMPA
WASH PUMP
POMPE
ELEKTROPUMPE**

mod. **R:**
706 - 708

106

10/87

| POS. | CODICE CODE KODE | DESCRIZIONE - DESCRIPTION - BESCHREIBUNG |
|------|------------------------|--|
| 5 | 12 40 22 | Girante 1295 FIR 60 Hz. Impellor 1295 FIR 60 Hz. Turbine 1295 FIR 60 Hz. Pumpenflügel 1295 FIR 60 Hz. |
| 5 | 12 40 09 | Girante T 140 50 Hz. Impellor T 140 50 Hz. Turbine T 140 50 Hz. Pumpenflügel T 140 50 Hz. |
| 6 | 45 60 23 | OR 1295 FIR O-ring 1295 FIR Joint thorique 1295 FIR O-Ring Dichtung 1295 FIR |
| 6 | 45 60 24 | OR T 140 O-ring T 140 Joint thorique T 140 O-Ring Dichtung T 140 |
| 7 | 14 10 02 | Tenuta meccanica 1295 FIR, T 140 Seal 1295 FIR, T 140 Presse etoupe 1295 FIR, T 140 Gleitringdichtung 1295 FIR, T 140 |
| 8 | 31 40 02 | Cuscinetto T 140 Bearing T 140 Roulement T 140 Kugellager T 140 |
| 9 | 33 50 03 | Ventola 1295 FIR Fan 1295 FIR Turbine de refroidissement 1295 FIR Flügel 1295 FIR |
| 9 | 33 50 05 | Ventola T 140 Fan T 140 Turbine de refroidissement T 140 Flügel T 140 |
| 10 | 31 30 03 | Copriventola 1295 FIR Fan protection 1295 FIR Protection turbine 1295 FIR Flügelschutz 1295 FIR |
| 10 | 31 30 06 | Copriventola T 140 Fan protection T 140 Protection turbine T 140 Flügelschutz T 140 |

E3 wolk